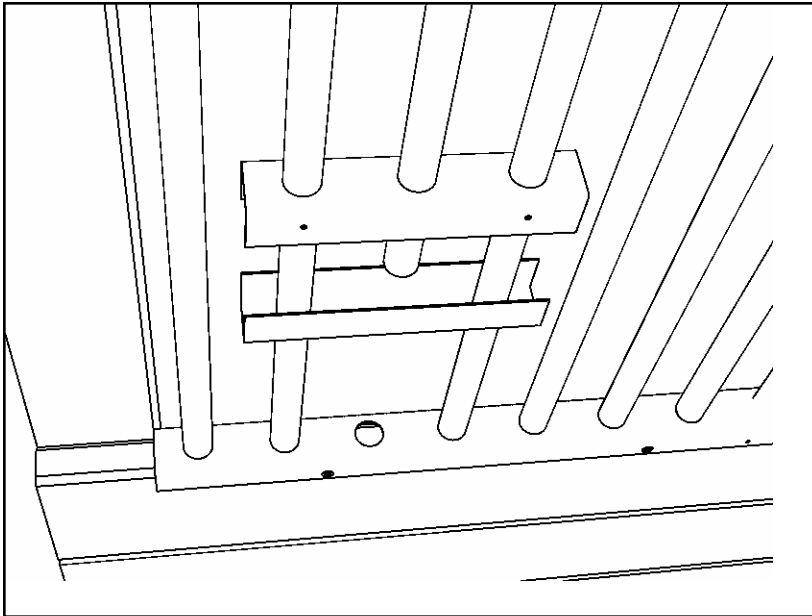


JOCAM'S STALLS-TACK ORGANIZERS-ACCESSORIES

WWW.JOCAMS.COM

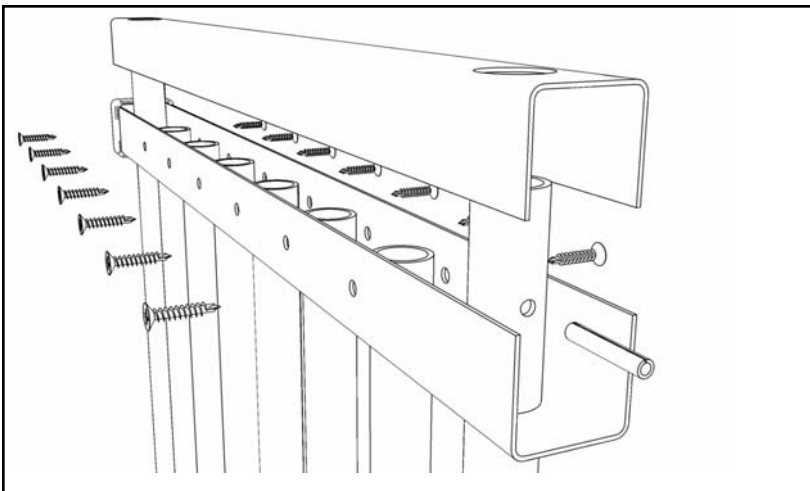
1-866-422-1077

FEED HOLE GRILL SECTION ASSEMBLY:



1. Before fully fastening grill channels, trim required grill bars to desired length.
2. Fasten feed hole u-channel together.
3. Slide feed hole u-channel up grill bars to desired height and fasten.
4. Install vinyl end caps to the ends of the feed hole u-channel.

FEED DOOR GRILL SECTION ASSEMBLY:



1. Lay feed door components on a flat surface as shown.
2. Make sure that the 36" bar is on the far left of the door and the 34" roll pin bar is on the far right.
3. Slide the pre-punched channels over the top and bottom of the bars.
4. Insert roll pins and spring into the far right bar.
5. Slide the remaining channels into place and fasten.
6. Install into grill channel before fully fastening it to the front.

